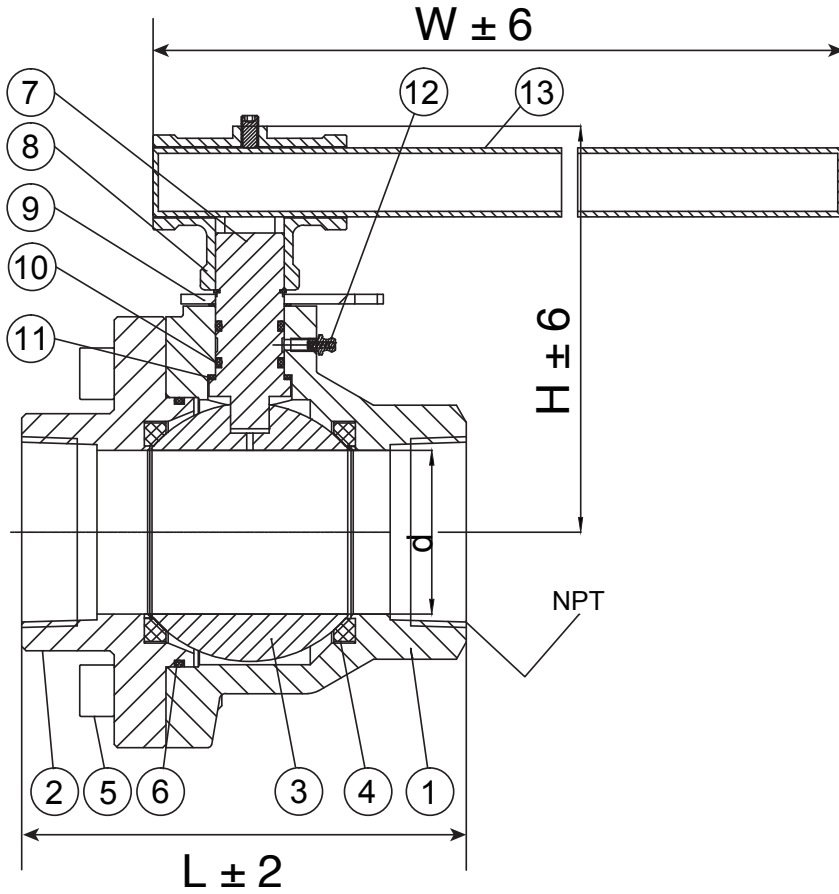
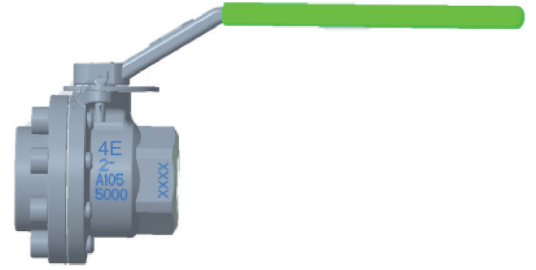


# 5000 PSI BOLTED BODY FORGED STEEL BALL VALVE



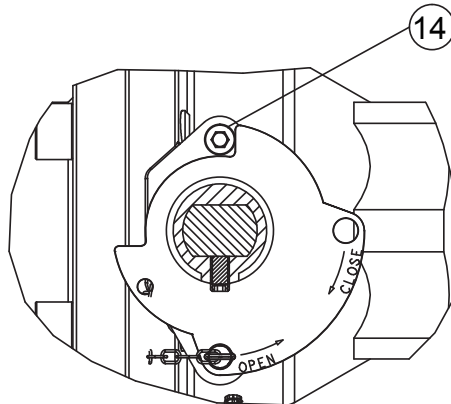
**FIG.# 4E-450FG020DPT-2F**  
**Sizes: 3" @ 5000 psi**

Forged Steel Body, 420 Stainless Steel Ball  
 Lever Operated 2- pcs Bolted Body Floating Ball Valve  
 Fire Safe Design  
 Full Port, Threaded End Connection



## MATERIAL LIST

No.	Part Name	Material
1.	Body	ASTM A105
2.	Cap	ASTM A105
3.	Ball	SS 420
4.	Seat	Delrin
5.	Body Bolt	A193 B7M
6.	Body O- Ring	Viton
7.	Stem	SS 420
8.	Tee	Carbon Steel
9.	Stop Plate	Steel
10.	Seal O- Ring	Viton
11.	Thrust Bearing	PTFE
12.	Grease Zerw	Steel
13.	Handle	CS
14.	Stop Pin	Steel



## DIMENSIONS & WEIGHT

SIZE	unit	3" Full Port
L	inch	8.11
	mm	206
H	inch	7.40
	mm	188
NPT		3"- 8NPT
d	inch	2.99
	mm	76
W	inch	31.50
	mm	800

**NOTE:** 1. 316 SS Trim and Others available upon request  
 2. Handwheel, lever and Gear Operator must be specified at the point of order.  
 3. Specifications subject to change without notice.