

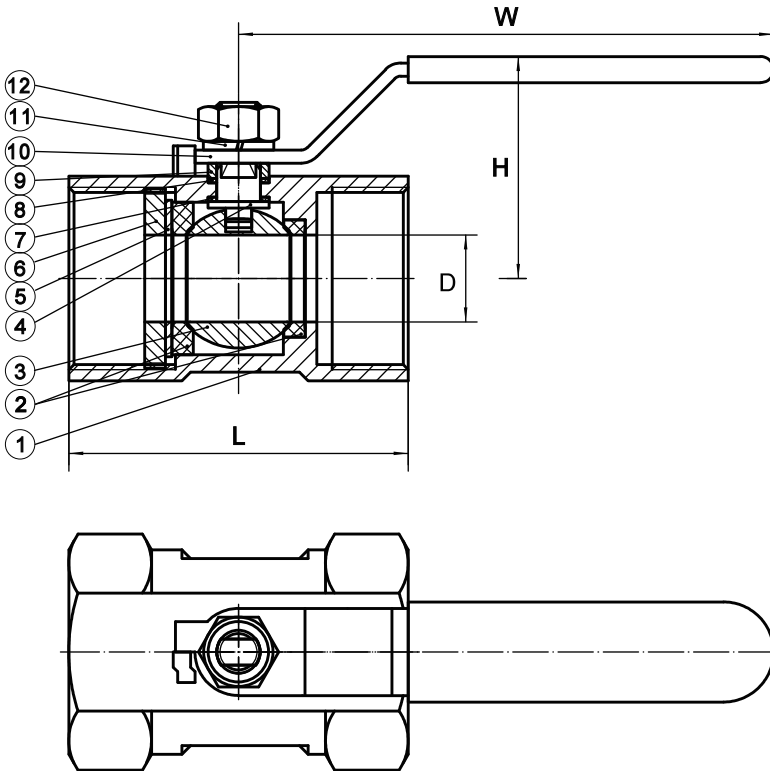
1000PSI 1PC RP STAINLESS STEEL BALL VALVE



FIG.# 4E-410C8M16PP(RR)T-1R

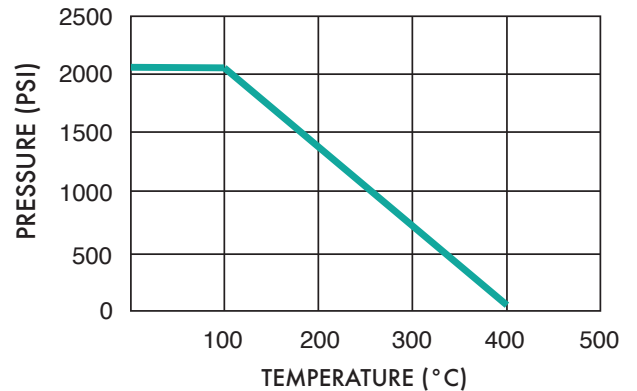
Sizes: 1/4" - 2" @1,000 PSI NSCWP

Full Stainless Steel, Blowout proof stem
 Locking Handle, 1-Piece Body (Uni-body), Reduced Port
 Nace, NPT Threads Conforms to ANSI B1.20.1



MATERIAL LIST		
No.	Part Name	Material
1.	Body	CF8M
2.	Seat	PTFE/RPTFE
3.	Ball	SS 316
4.	Stem	SS 316
5.	Gasket	SS 316
6.	End Cap	SS 316
7.	Thrust Washer	PTFE/RPTFE
8.	Packing	PTFE/RPTFE
9.	Packing Gland	SS
10.	Handle	SS
11.	Spring Washer	SS
12.	Hex Nut	SS

Pressure Temperature Rating



Weights are approximate and construction is subject to change without notice.

DIMENSIONS									
SIZE	unit	1/4"	3/8"	1/2"	3/4"	1"	1-1/4"	1-1/2"	2"
D	mm	5.1	7.1	9.1	12.4	15.0	20.1	24.9	32.0
	inch	0.20	0.28	0.36	0.49	0.59	0.79	0.98	1.26
L	mm	39.9	43.9	56.9	60.0	71.1	78.0	82.0	101.1
	inch	1.57	1.73	2.24	2.36	2.80	3.07	3.23	3.98
H	mm	27.9	27.9	39.1	39.9	47.0	56.9	60.0	67.1
	inch	1.10	1.10	1.54	1.57	1.85	2.24	2.36	2.64
W	mm	70.1	71.9	89.9	95.0	106.9	118.1	136.9	150.1
	inch	2.76	2.83	3.54	3.74	4.21	4.65	5.39	5.91
Weight	kg.	0.06	0.09	0.15	0.23	0.34	0.55	0.71	1.12
	lbs.	0.141	0.198	0.326	0.518	0.75	1.213	1.565	2.469
Torque	N-m	1.50	2.25	4.50	6.00	7.50	12.00	15.00	17.50

