

Class 125 NRS GATE VALVE

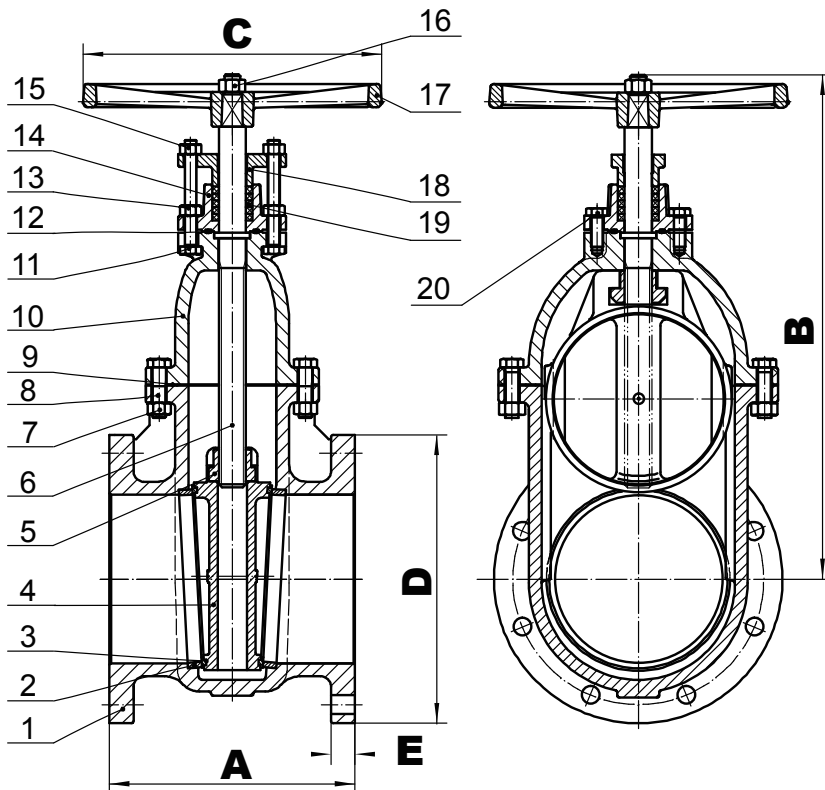


STANDARDS COMPLIANCE:

1. Flange shape and drilling to specifications ANSI B 16.1 (125lb.)
2. Conforms to: MSS SP-70
3. Face to face dimensions conform to ANSI B16.1 (125lb.)

FIG.# 62CFE5F

125 lb. SWP-200 lb, WOG non-shock, Non-Rising Stem, Solid Wedge Disc, Bolted Bonnet, Gland Packed, Flanged Ends



MATERIAL LIST

No.	Part Name	Material
1.	Body	ASTM A126 B
2.	Body Sealing	ASTM B 62
3.	Disc Sealing	ASTM B 62
4.	Disc	ASTM A126 B
5.	Stem Nut	ASTM B 62
6.	Stem	ASTM B 16
7.	Nut	ASTM A563 A
8.	Bolt	ASTM A307 B
9.	Gasket	08+Flexible Graphite
10.	Bonnet	ASTM A 126 B
11.	Bolt	ASTM A 307 B
12.	O-Ring	EPDM
13.	Nut	ASTM A 563 A
14.	Stuffing Box	ASTM A536 65-45-12
15.	Nut	ASTM A563 A
16.	Nut	ASTM A563 A
17.	Handwheel	ASTM A536 65-45-12
18.	Packing Gland	ASTM A536 65-45-12
19.	Packing	Flexible Graphite
20.	Bolt	ASTM A307 B

NOTE: 1. Weight are approximate and detail of construction are subject to change without notice.

DIMENSION & WEIGHT

SIZE	unit	2"	2-2/1"	3"	4"	5"	6"	8"	10"	12"	14"	16"	18"	20"	24"	30"	36"
A	inch	7	7.5	8	9	10	10.5	11.5	13	14	15	16	17	18	20	24	36
	mm	178	191	203	229	254	267	292	330	356	381	406	432	457	508	610	711
B	inch	11.31	12.40	13.25	16.31	18.00	20.69	24.12	33.00	36.50	40.50	48.00	50.75	56.12	64.00	84.25	92.13
	mm	287	315	337	414	457	526	613	838	927	1029	1219	1289	1426	1626	2140	2340
C	inch	8	8	8	10	10	12	14	18	18	20	22	22	24	30	36	42
	mm	203	203	203	254	254	305	356	457	457	508	559	559	610	762	914	1067
D	inch	6	7	7.5	9	10	11	13.5	16	19	20.98	23.5	25	27.52	32.01	38.75	46
	mm	152.4	177.8	190.5	228.6	254	279.4	342.9	406.4	482.6	532.9	596.9	635	699.01	813.1	984	1168
E	inch	0.62	0.69	0.75	0.94	0.94	1	1.12	1.19	1.25	1.38	1.44	1.56	1.69	1.88	2.13	2.38
	mm	15.75	17.53	19.05	23.88	23.88	25.4	28.45	30.23	31.75	35.05	36.58	39.62	42.93	47.75	54	60
Weight	LBS	33	44	53	86	108	139	233	392	524	968	1180	1701	2188	3150	4800	8700
	Kgs.	15	20	24	39	49	63	106	178	238	440	535	772	993	1432	2177	3946